

# CESAB S100 1.0 tonne

Powered Stacker Trucks



Truck Specifications



## CESAB S110 - S110S Truck Specifications

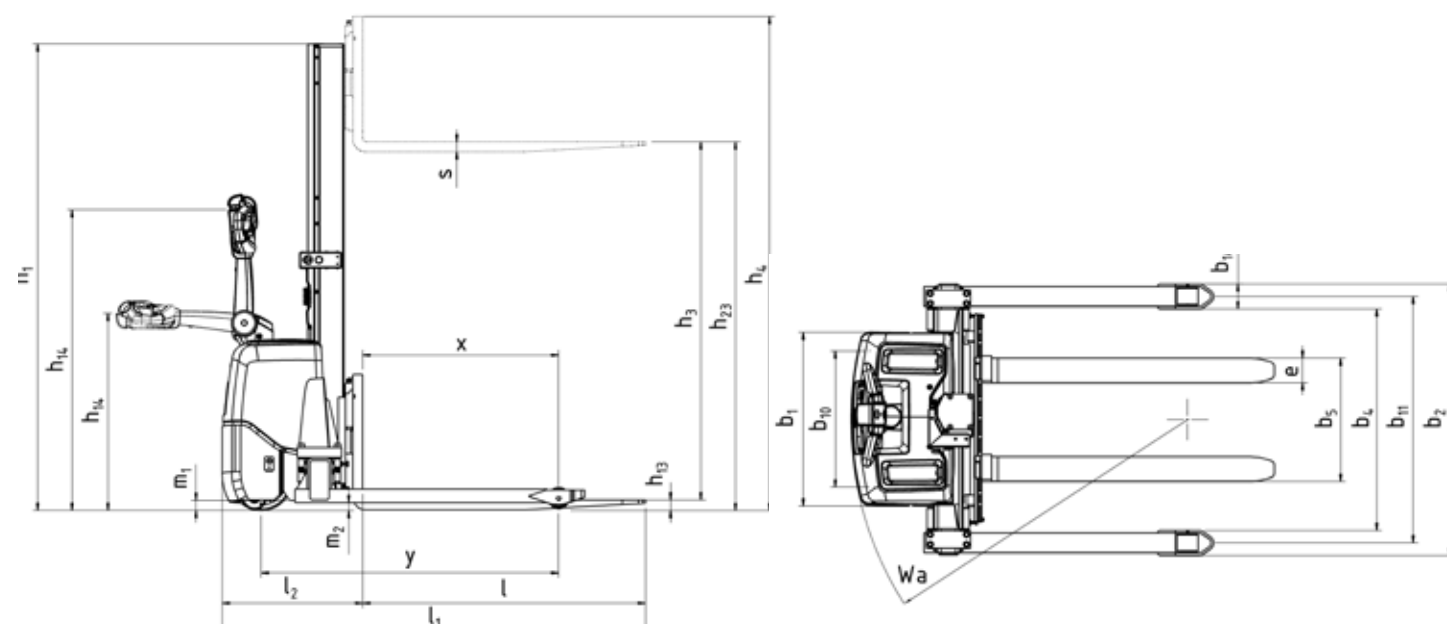
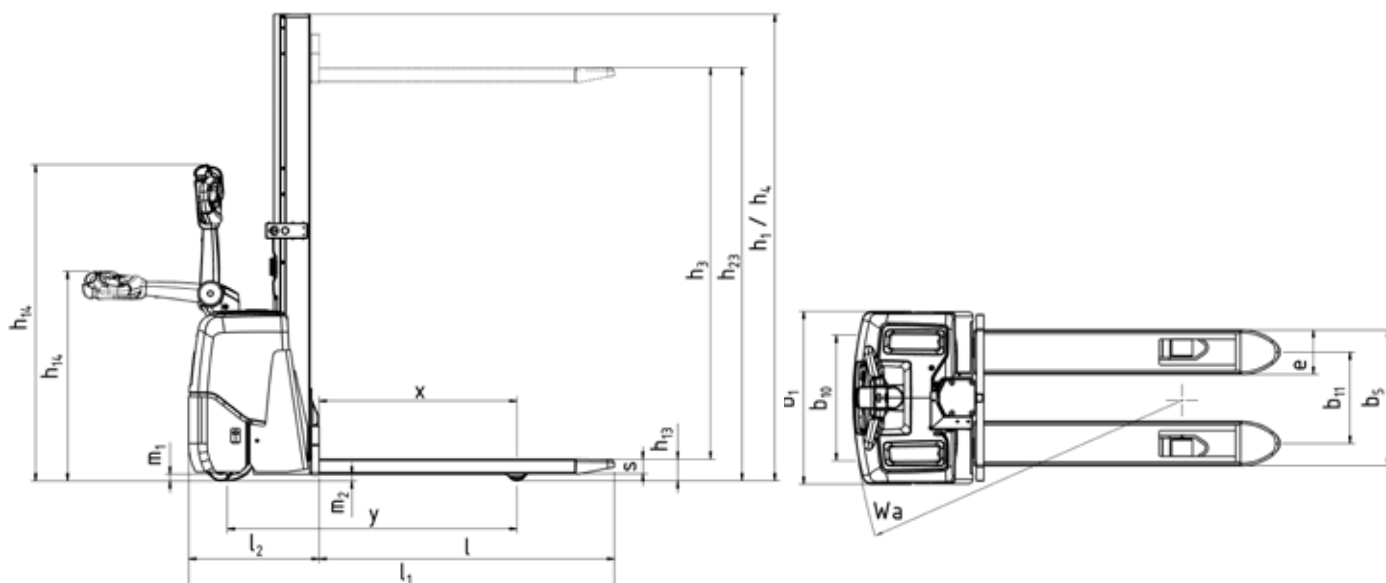
CHARACTERISTICS					
1.1	Manufacturer			CESAB	CESAB
1.2	Model			S110	S110S
1.3	Drive			Electric	Electric
1.4	Operator type			Pedestrian	Pedestrian
1.5	Load capacity/rated load	Q	[kg]	1000	1000
1.6	Load centre	c	[mm]	600	600
1.8	Load distance, centre of support arm wheel to face of forks	x	[mm]	805	800
1.9	Wheelbase	y	[mm]	1178	1210
WEIGHT					
2.1	Service weight including battery		[kg]	467	560
2.2	Axle load, with load, drive/castor/fork wheel		[kg]	353/151/963	580/-/515
2.3	Axle load, without load, drive/castor/fork wheel		[kg]	230/123/114	400/-/80
WHEELS					
3.1	Drive/castor/fork wheel			PU/PU/PU	PU/-/PU
3.2	Wheel size, front		[mm]	Ø250x60	Ø250x60
3.3	Wheel size, rear		[mm]	Ø85x77	Ø85x77
3.4	Additional wheels (dimensions)		[mm]	Ø100x40	-
3.5	Wheels, number front/rear (x=driven wheels)			2+1x/2	1x/2
3.6	Track width, front	b <sub>10</sub>	[mm]	506	506
3.7	Track width, rear	b <sub>11</sub>	[mm]	364	1000 -1400
DIMENSIONS					
4.2	Height, mast lowered	h <sub>1</sub>	[mm]	1890	1890
4.4	Lift	h <sub>3</sub>	[mm]	1495	1500
	Lift height	h <sub>23</sub>	[mm]	1580	1540
4.5	Height, mast extended	h <sub>4</sub>	[mm]	1890	2040
4.9	Height of tiller in neutral position	h <sub>14</sub>	[mm]	858/1222	858/1222
4.15	Height, fork lowered	h <sub>13</sub>	[mm]	85	50
4.19	Overall length	l <sub>1</sub>	[mm]	1680	1722
4.20	Length to face of forks	l <sub>2</sub>	[mm]	530	572
4.21	Overall width	b <sub>1</sub> /b <sub>2</sub>	[mm]	700	700/1100 -1500
4.22	Fork dimensions	s/e/l	[mm]	60/180/1150	40/100/1150
4.25	Width over forks	b <sub>5</sub>	[mm]	550	250-800
4.26	Distance between support arms	b <sub>4</sub>	[mm]	-	900 -1300
4.27	Support arm width	b <sub>14</sub>	[mm]	-	100
4.31	Ground clearance, below mast	m <sub>1</sub>	[mm]	49	49
4.32	Ground clearance, centre of wheelbase	m <sub>2</sub>	[mm]	26	26
4.34	Aisle width for pallets 800x1200 lengthways	A <sub>st</sub>	[mm]	2100	2130
4.35	Turning radius	W <sub>8</sub>	[mm]	1340	1365
PERFORMANCE DATA					
5.1	Travel speed, with/without load		[km/h]	4.5/5.5	4.5/5.5
5.2	Lift speed, with/without load		[m/s]	0.12/0.21	0.10/0.19
5.3	Lowering speed, with/without load		[m/s]	0.15/0.14	0.15/0.14
5.8	Max. gradeability, with/without load <sup>1)</sup>		[%]	6/10	6/10
5.10	Service brake			Electromagnetic	Electromagnetic
ELECTRIC MOTOR					
6.1	Drive motor rating S2 60 min		[kW]	0.7	0.7
6.2	Lift motor rating at S3 11%		[kW]	1.2	1.2
6.4	Battery voltage/nominal capacity K <sub>3</sub>		[V/Ah]	2x12/63	2x12/63
6.5	Battery weight		[kg]	2x23	2x23
6.6	Energy consumption acc. to VDI cycle (with h23=1580mm / with h23=2000mm)		[kWh/h]	0.62 / 0.76	-
OTHERS					
8.1	Type of drive control			Variable AC	Variable AC
8.4	Sound level at the driver's ear according to EN 12 053		[dB(A)]	66	66

<sup>1)</sup> Measured according to company standard

All data are based on table configuration. Other configurations may give other values.  
Truck performance and dimensions are nominal and subject to tolerances.  
Specifications are subject to change without notice.



## CESAB S110 - S110S Dimensional Drawings



### Mast Specifications

			S110		S110S	
$h_{23}$	Lift height ( $h_{13}+h_3$ )	[mm]	1580	2000	1540	1960
$h_3$	Lift	[mm]	1495	1915	1500	1920
$h_1$	Height, mast lowered	[mm]	1890	2310	1890	2310
$h_4$	Height, mast extended	[mm]	1890	2310	2040	2460

The data in this specification sheet was determined based on our standard testing conditions. Operating performance may vary depending on the actual specification and condition of the truck as well as the condition of the operating area. Availability and specifications are determined regionally and are subject to change without notice. Please consult your authorised CESAB dealership for further details. SPEC\_S100\_EN\_2017 / P&B S100 V15 – Copyright CESAB Material Handling Europe.

